

2017 PRICE LIST for Dressmaking and Bridalwear

STYLES

Highball / Halfball



Dome / Covered back



Canvas back



Ringed / Dual dome



Style	Sizes	Prices
Highball	18	40p
Halfball	14,16,18,20,22,24	40p
Dome	14,16,18,20,22,24,26,28,	38p
Dome	30,32,36,	45p
Dome	40,44,50	50p
Canvas back	14,16,18,20,22,24,28	48p
Canvas back	30,32,36,40,44	52p
Ringed dome (gold)	20,22,28,30,32,44	52p
Ringed dome (silver)	20,22,24,28,36,44	52p
Dual dome	24,28,32,36,40,44	58p
Rouleau Loops		70p
Eyelets		40p

ADDITIONAL CHARGES PER BUTTON AS REQUIRED

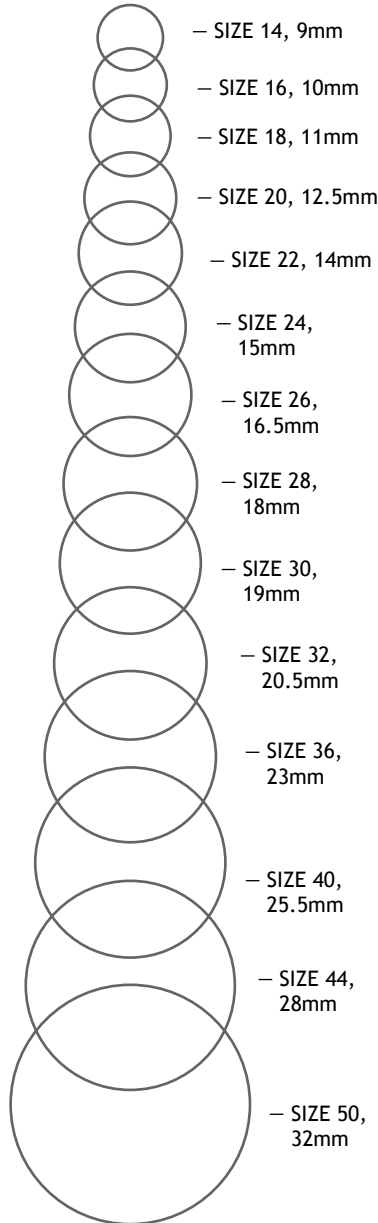
Backs covered in same fabric	15p
Centering of specific part of pattern	15p
Use of specific area of fabric pattern	10p
Aligning of shanks	15p
Overlining with lace, net or similar	10p

BUTTON COVERING SERVICES 01726 882325

SIZES

These are mould sizes.

Fabric thickness will increase size of button.



2017 ORDER FORM for Dressmaking and Bridalwear

Style of button	Size	White or black back	Gold or silver ring	Quantity	Price per button	Total price
Additional charges as required						
Administration, packing & carriage						£2.50
TOTAL						

Cheque enclosed made payable to **Button Covering Services**

Paid by BACS Account number: **25444188** Sort code: **09 01 27**

Name (Mr/Mrs/Miss/Ms)

Address

Postcode Telephone

Date

Please indicate which side of the fabric you wish to be the right side.
Fine fabrics will need to be supplied with a lining.

Send your completed order form and fabric to:
Button Covering Services, Middleton House, Trenowth, Grampound Road, Truro TR2 4EH

SPECIAL INSTRUCTIONS: (please continue overleaf if necessary)