

## 2017 PRICE LIST for Upholstery and Soft Furnishings

<u>STYLES</u>	<u>SIZES</u>	<u>PRICES</u>
<b>Wire loop</b>	20,22,24,26,28	45p
	30,36	48p
	44, 50	52p
<b>Nail back</b>	24,28,30	52p
	(13mm, 17mm, 25mm in size 30 only)	
<b>Plastic back</b>	14,16,18,20	38p
	(black & white) 22,24,26,28	38p
	30,32,36	45p
	40,44,50	50p
<b>Canvas back</b>	14,16,18,20,22,24,28	48p
	30,32,36,40,44	52p
<b>Hook (black)</b>	30,36,44	48p
<b>Hook (white)</b>	30,36	48p
<b>Contra back</b>	30,44	10p
	(white)	
<b>Prong back (47mm)</b>	24,30	52p
<b>Flat/stud back</b>	20,22,24,30,36	48p
<b>Tape back</b>	30,36	48p
	(40mm or 50mm tape)	

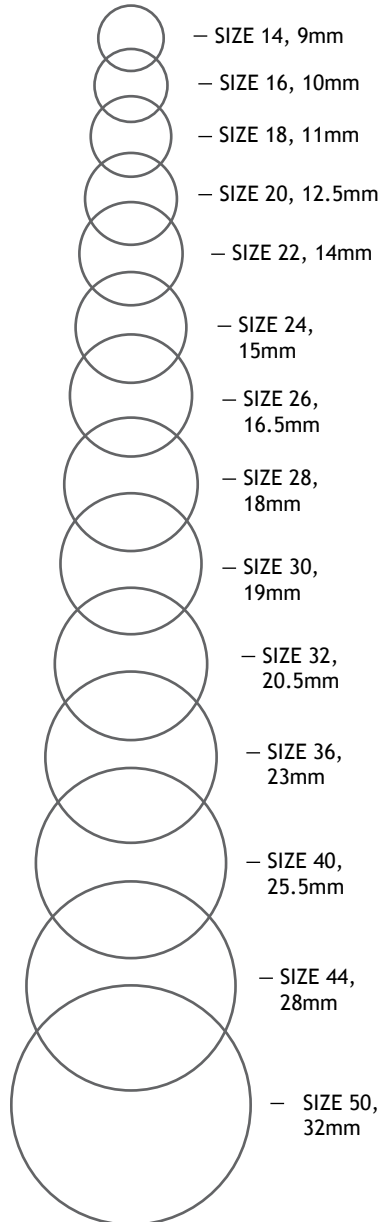
### ADDITIONAL CHARGES PER BUTTON AS REQUIRED

Buttoning twine for use with wire loops	
@ £2.50 per 5 metres	
Centering of specific part of fabric pattern	15p
Use of a specific area of fabric pattern	10p
Aligning of shanks	15p

**BUTTON COVERING SERVICES** 01726 882325

### SIZES

These are mould sizes.  
Fabric thickness will increase size of button.



## 2017 ORDER FORM for Upholstery and Soft Furnishings

Type of button back	Length of nail (13mm or 17mm)	Size	Quantity	Price per button	Total price
Additional charges as required					
Administration, packing & carriage					£2.50
<b>TOTAL</b>					

Cheque enclosed made payable to **Button Covering Services**

Paid by BACS Account number: **25444188** Sort code: **09 01 27**

Name (Mr/Mrs/Miss/Ms) .....

Address .....

Postcode ..... Telephone .....

Date .....

Please indicate which side of the fabric you wish to be the right side.  
Fine fabrics will need to be supplied with a lining.

Send your completed order form and fabric to:

**Button Covering Services, Middleton House, Trenowth, Grampound Road, Truro TR2 4EH**

SPECIAL INSTRUCTIONS: (please continue overleaf if necessary)