

## 2019 PRICE LIST for Dressmaking and Bridalwear

### STYLES

Highball / Halfball



Dome / Covered back



Canvas back



Ringed / Dual dome



Style	Sizes	Prices
Highball	18	45p
Halfball	14,16,18,20,22,24	45p
Dome	14,16,18,20,22,24,26,28,	42p
Dome	30,32,36,	50p
Dome	40,44,50	55p
Canvas back	14,16,18,20,22,24,28	55p
Canvas back	30,32,36,40,44	60p
Ringed dome (gold)	20,22,28,30,32,44	58p
Ringed dome (silver)	20,22,24,28,36,44	58p
Dual dome	24,28,32,36,40,44	64p
Rouleau Loops		80p
Eyelets		45p

### ADDITIONAL CHARGES PER BUTTON AS REQUIRED

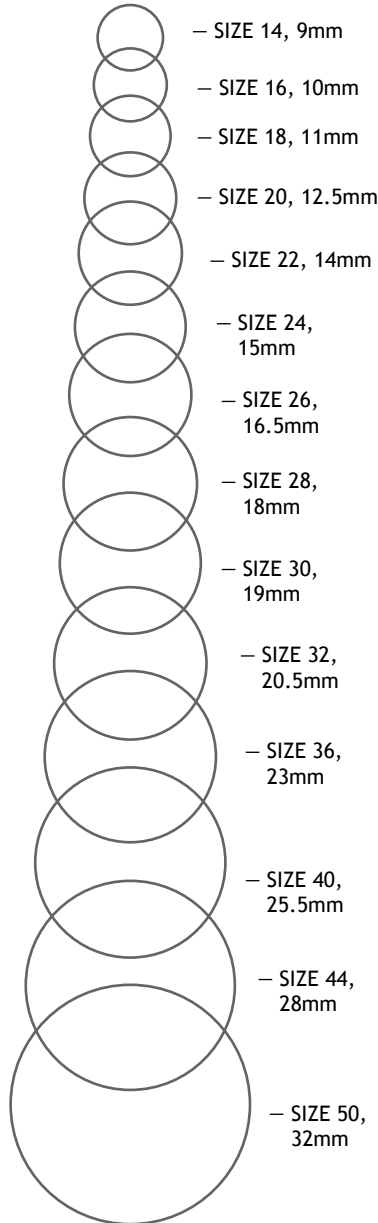
Backs covered in same fabric	15p
Centering of specific part of pattern	15p
Use of specific area of fabric pattern	10p
Aligning of shanks	15p
Overlining with lace, net or similar	10p

**BUTTON COVERING SERVICES 01726 882325**

### SIZES

These are mould sizes.

Fabric thickness will increase size of button.



## 2019 ORDER FORM for Dressmaking and Bridalwear

Style of button	Size	White or black back	Gold or silver ring	Quantity	Price per button	Total price
Additional charges as required						
Administration, packing & carriage						£2.99
<b>TOTAL</b>						

Cheque enclosed made payable to **Button Covering Services**

Paid by BACS Account number: **25444188** Sort code: **09 01 27**

Name (Mr/Mrs/Miss/Ms) .....

Address .....

Postcode ..... Telephone .....

Date .....

Please indicate which side of the fabric you wish to be the right side.  
Fine fabrics will need to be supplied with a lining.

Send your completed order form and fabric to:  
**Button Covering Services, Middleton House, Trenowth, Grampound Road, Truro TR2 4EH**

SPECIAL INSTRUCTIONS: (please continue overleaf if necessary)