

2019 PRICE LIST for Upholstery and Soft Furnishings

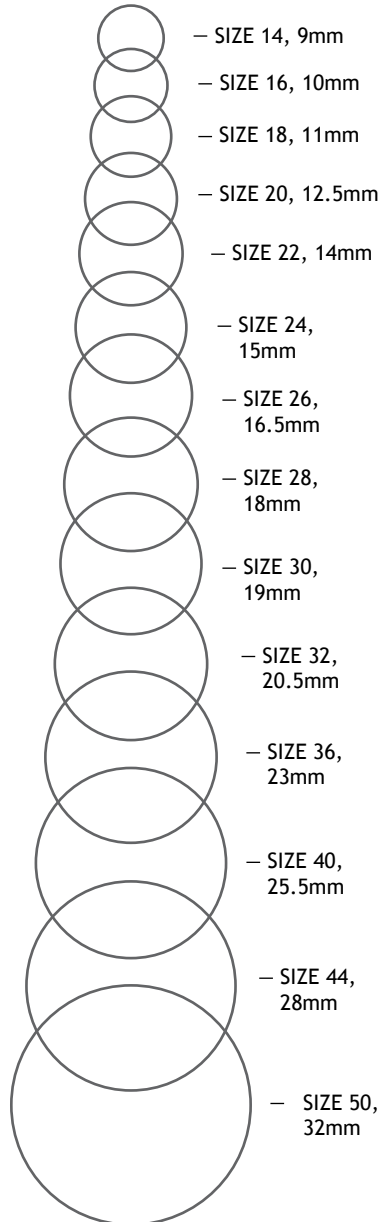
<u>STYLES</u>	<u>SIZES</u>	<u>PRICES</u>
Wire loop	20,22,24,26,28	48p
	30,36	52p
	44,50	60p
Nail back	20,24,28,30	58p
	(13mm, 17mm, 25mm in size 30 only)	
Plastic back	14,16,18,20	42p
	(black & white) 22,24,26,28	42p
	30,32,36	50p
	40,44,50	55p
Canvas back	14,16,18,20,22,24,28	55p
	30,32,36,40,44	60p
Hook (black)	30,36,44	58p
Hook (white)	30,36	58p
Contra back	30,44	12p
	(black & white)	
Prong back (47mm)	24,30	62p
Flat/stud back	20,22,24,30,36	50p
Tape back	30,36	50p
	(40mm or 50mm tape)	

ADDITIONAL CHARGES PER BUTTON AS REQUIRED

Buttoning twine for use with wire loops £2.80 @ per 5 metres	
Centering of specific part of fabric pattern	15p
Use of a specific area of fabric pattern	10p
Aligning of shanks	15p

SIZES

These are mould sizes.
Fabric thickness will increase
size of button.



2019 ORDER FORM for Upholstery and Soft Furnishings

Type of button back	Length of nail (13mm or 17mm)	Size	Quantity	Price per button	Total price
Additional charges as required					
Administration, packing & carriage					£2.99
TOTAL					

Cheque enclosed made payable to **Button Covering Services**

Paid by BACS Account number: **25444188** Sort code: **09 01 27**

Name (Mr/Mrs/Miss/Ms)

Address

Postcode Telephone

Date

Please indicate which side of the fabric you wish to be the right side.
Fine fabrics will need to be supplied with a lining.

Send your completed order form and fabric to:
Button Covering Services, Middleton House, Trenowth, Grampound Road, Truro TR2 4EH

SPECIAL INSTRUCTIONS: (please continue overleaf if necessary)